

NEC PROJECTOR & SCREEN INFORMATION

PROJECTOR

NEC Projector model NECNP4100W

NEC lens – short zoom lens **NP07ZL**: Throw Ratio: ~1.33 - 1.79:1 Focal Length: 19.3 - 25.8mm

NEC lens – long throw lens

NEC lens – fixed lens **NP06FL**: Throw Ratio: ~ 0.77:1 Focal Length: 11.4mm

SCREEN

Both 4:3 and 16:9 screens are fully supported with proper aspect ratio control for both type sizes of screens

There are 2 Screens available 16:9, Viewing Area: 16'x9' 4840mm x 2722mm and 4:3, viewing area 2438mm x1830mm both are capable of being flown or are both free standing fast folding with Valances

RIGGING

There is a rigging mount for when the projector is being flown,

CABLES AND ADAPTORS

40meter CAT5 (VGA to cat 5 converters)

10meter HDMI

MAC to VGA converters

VISION MIXER

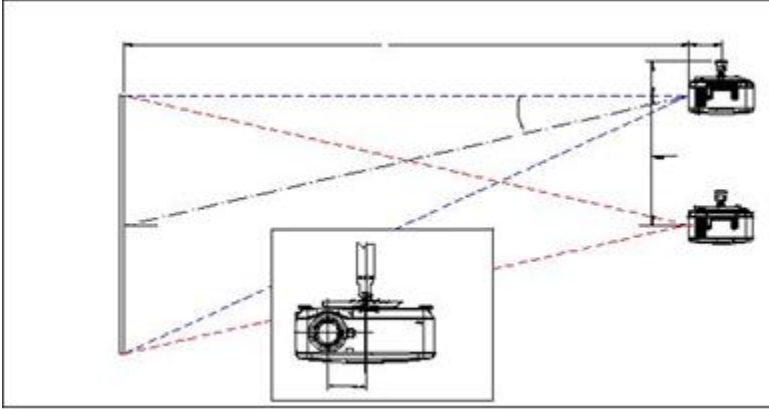
Roland Vison mixer

PROJECTION DISTANCE FOR FLOWN PROJECTOR

The following shows the proper relative positions of the projector and screen. Refer to the table to determine the position of

installation.

Distances are in inches. For millimeters multiply by 25.4.or 4.3meters



Note: To achieve a 4x3 image, you must select 4x3 for each incoming signal in the OSM.